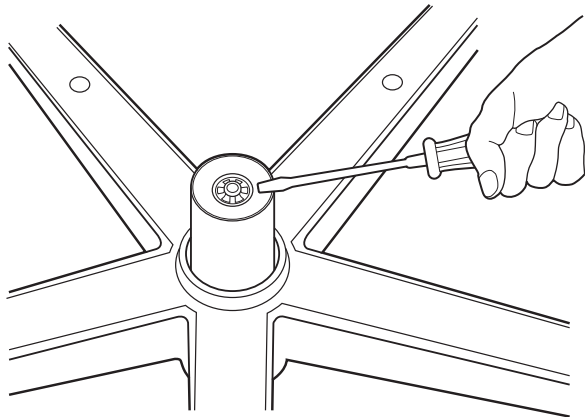




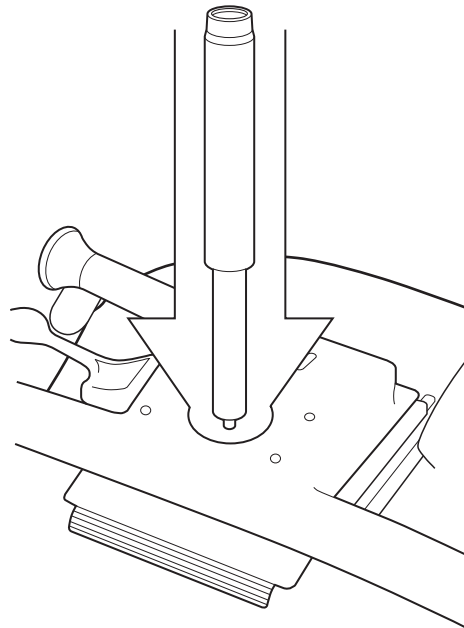
Universal Gas Cylinder Kit

- 1) Turn the chair over and place it on a stable surface. Using a screwdriver or pliers, remove retaining clip at the center of the star base.

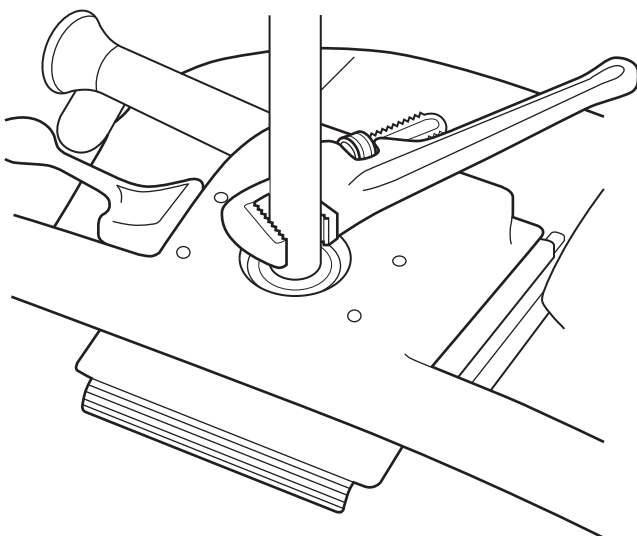


If the original star base is a press fit design use a rubber mallet or soft tool to loosen it from the cylinder.

- 3) Press in new gas cylinder. Use a rubber mallet to secure cylinder to bottom of the chair.



- 2) With the star base removed twist base of the cylinder using a pipe wrench. It may require significant effort to break the old cylinder free.



- 4) Star bases may be press fit or require a lock-clip. If a lock-clip is required, the black outer cover of the gas cylinder may be removed.

